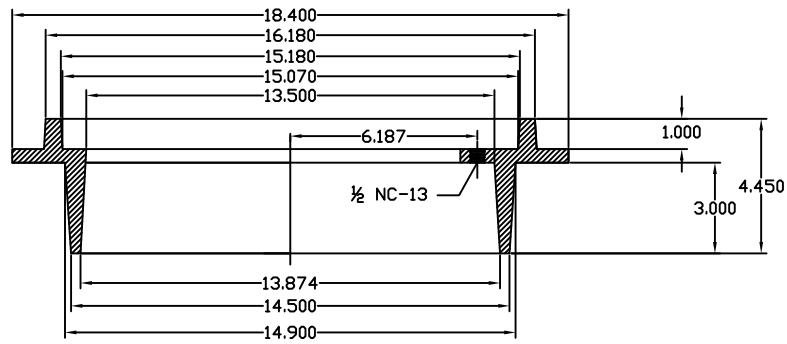


PLAN



COUPE AA

TOL. NON SPECIFIEE/  
UNLESS SPECIFIED TOL.

.X OU/DR X/X =  $\pm \frac{1}{8}$

.XX =  $\pm 0.063$

.XXX =  $\pm 0.031$

ANG. =  $\pm 0.5$

ENLEVER ARRETES VIVES/REMOVE SHARP EDGES

GORGE, ALESAGE ETAT DE SURFACE/

ALESAGE CONIQUE/ SURFACE ROUGHNESS

GROOVE, BORE, TAPER BORE

UNITES/  
UNITS

POUCES

No. PIECE/PART No.		620-3315	
CLIENT/CUSTOMER			
POLY-EXPERT DISTRIBUTION			
DESSINE PAR/DRAWN BY		DATE	
CHANTAL LAPOINTE		06-09-08	
VERIFIE PAR/CHECKED BY		DATE	
AN		08-09-08	
MATERIAU/MATERIAL		POIDS/WEIGHT	
FONTE GRISE CLASSE 30		30 Lbs Apprx.	
GREY CAST IRON CLASS 30			
No. DESSIN/DRAWING No			REVISION
PED-CS375			0