

STYLE 400 STEEL COUPLING (FOR 12" AND LARGER PIPE)



MATERIAL SPECIFICATIONS

CENTER RINGS: Beveled, flared or formed carbon steel with minimum yield of 30,000 PSI.

END RINGS: Contoured rolled mill section carbon steel. End-ring thickness determined by pipe O.D. and pressure rating.

GASKETS: Compounded for water and sewer service. Meets the requirements of AWWA C219 and ASTM D2000. Other compounds available on request.

BOLTS AND NUTS: Trackhead bolts, heavy hex nuts, 5/8" UNC rolled thread, high strength, low alloy corrosion-resistant steel per AWWA C111. Threads protected with plastic caps on each bolt end.

PAINT: Romac shopcoat for corrosion protection in transit.

SPECIALS: Center ring length and thickness not shown, special linings and coatings desired, diameters and pressure ratings not shown. Prices and availability on request.

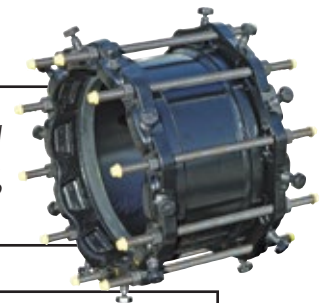
OPTIONS: Available for pipe sizes 12" – 200". For other options and specifications, see page 3-25 & 3-26.

USE: To flexibly couple pipe of the same diameters. See Style TC400 on Page 3-23 for limited range if O.D. is not known.



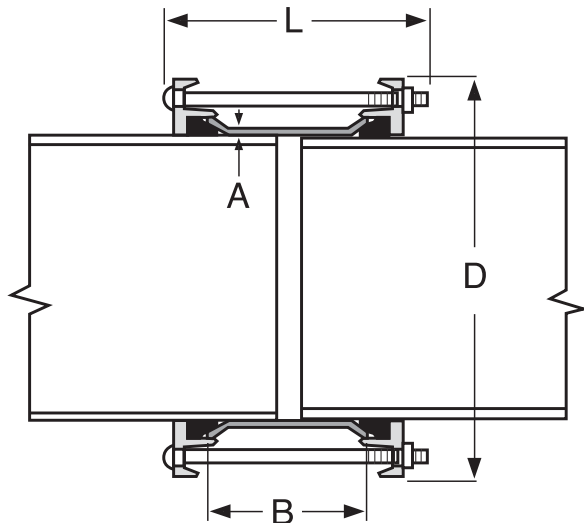
NSF61 certified upon request.

MEETS
AWWA C219



For restrained "400" steel couplings, see page 8-9

Adapted Cathodic Protection for style 400 steel couplings, see page 3-26



DIMENSIONS

Reference charts on following pages

- A Center ring thickness
- B Center ring length
- D Overall coupling diameter
- L Overall coupling length.



WARNING: Flexible couplings do not provide protection against possible pullout of pipe ends in unrestrained conditions.

TO ORDER: Determine pipe size, center ring thickness and length. Any special gaskets, linings and coatings, or nuts and bolts should be described in full.

EXAMPLE: To couple 16" O.D. steel pipe with a coupling wall thickness of .250 and 7" long, order **400-16.00-1**




STYLE 400 STEEL COUPLING (FOR 12" AND LARGER PIPE)

STYLE 400 STEEL COUPLINGS FOR JOINING PLAIN-END PIPE TO PLAIN-END PIPE

NOM. PIPE SIZE	OUTSIDE DIAMETER O.D.	CENTER RING (A) x (B)	CATALOG NUMBER	LIST PRICE						BOLT NO : SIZE	OVERALL LENGTH (L)
				SHOPCOAT			FUSION EPOXY				
				w/STD B&N	w/304 SS B&N	w/316 SS B&N	w/STD B&N	w/304 SS B&N	w/316 SS B&N		
12"	13.20	1/4" x 7"	400-13.20-1	\$1,000.43	\$1,200.80	\$1,557.96	\$1,441.12	\$1,641.51	\$1,998.63	8:5/8" x 11 1/2"	12"
	13.20	1/4" x 10"	400-13.20-1A	1,508.16	1,750.68	2,111.69	1,992.51	2,234.98	2,596.03	8:5/8" x 15"	15 1/2"
	13.20	3/8" x 7"	400-13.20-2	1,309.81	1,510.19	1,867.33	1,750.50	1,950.88	2,308.01	8:5/8" x 11 1/2"	12"
	13.20	3/8" x 10"	400-13.20-3	1,705.68	1,948.17	2,309.21	2,190.91	2,432.45	2,793.54	8:5/8" x 15"	15 1/2"
14"	14.00	1/4" x 7"	400-14.00-1	1,000.43	1,200.80	1,557.96	1,441.12	1,641.51	1,998.63	8:5/8" x 11 1/2"	12"
	14.00	1/4" x 10"	400-14.00-1A	1,557.31	1,799.78	2,160.84	2,042.54	2,284.13	2,645.15	8:5/8" x 15"	15 1/2"
	14.00	3/8" x 7"	400-14.00-2	1,309.81	1,510.19	1,867.33	1,750.50	1,950.88	2,308.01	8:5/8" x 11 1/2"	12"
	14.00	3/8" x 10"	400-14.00-3	1,727.52	1,969.98	2,331.02	2,212.74	2,454.28	2,816.28	8:5/8" x 15"	15 1/2"
	15.30	1/4" x 7"	400-15.30-1	1,222.08	1,472.59	1,918.96	1,738.54	1,989.04	2,435.45	10:5/8" x 11 1/2"	12"
	15.30	1/4" x 10"	400-15.30-1A	1,707.87	2,022.99	2,462.27	2,298.12	2,613.23	3,052.53	10:5/8" x 15"	15 1/2"
	15.30	3/8" x 7"	400-15.30-2	1,400.22	1,650.70	2,097.10	1,916.66	2,167.15	2,613.55	10:5/8" x 11 1/2"	12"
	15.30	3/8" x 10"	400-15.30-3	1,905.86	2,221.01	2,660.25	2,496.12	2,811.24	3,250.53	10:5/8" x 15"	15 1/2"
16"	16.00	1/4" x 7"	400-16.00-1	1,222.08	1,472.59	1,918.96	1,738.54	1,989.04	2,435.45	10:5/8" x 11 1/2"	12"
	16.00	1/4" x 10"	400-16.00-1A	1,707.87	2,022.99	2,462.27	2,298.12	2,613.23	3,052.53	10:5/8" x 15"	15 1/2"
	16.00	3/8" x 7"	400-16.00-2	1,400.22	1,650.70	2,097.10	1,916.66	2,167.15	2,613.55	10:5/8" x 11 1/2"	12"
	16.00	3/8" x 10"	400-16.00-3	1,905.86	2,221.01	2,660.25	2,496.12	2,811.24	3,250.53	10:5/8" x 15"	15 1/2"
	17.40	1/4" x 7"	400-17.40-1	1,273.74	1,524.22	1,970.64	1,854.16	2,105.51	2,551.05	10:5/8" x 11 1/2"	12"
	17.40	1/4" x 10"	400-17.40-1A	1,763.19	2,078.32	2,517.58	2,426.54	2,741.64	3,180.95	10:5/8" x 15"	15 1/2"
	17.40	3/8" x 7"	400-17.40-2	1,541.89	1,792.37	2,238.78	2,372.76	2,624.12	2,819.19	10:5/8" x 11 1/2"	12"
	17.40	3/8" x 10"	400-17.40-3	1,928.55	2,243.67	2,682.95	2,591.91	2,907.02	3,346.30	10:5/8" x 15"	15 1/2"
18"	18.00	1/4" x 7"	400-18.00-1	1,273.74	1,524.22	1,970.64	1,854.16	2,104.63	2,551.05	10:5/8" x 11 1/2"	12"
	18.00	1/4" x 10"	400-18.00-1A	1,819.21	2,134.33	2,573.61	2,482.37	2,797.68	3,236.98	10:5/8" x 15"	15 1/2"
	18.00	3/8" x 7"	400-18.00-2	1,572.83	1,823.34	2,269.71	2,425.87	2,672.42	2,850.11	10:5/8" x 11 1/2"	12"
	18.00	3/8" x 10"	400-18.00-3	2,018.40	2,333.51	2,772.77	2,681.53	2,996.87	3,436.14	10:5/8" x 15"	15 1/2"
	19.50	1/4" x 7"	400-19.50-1	1,552.20	1,852.90	2,388.48	2,178.52	2,479.20	3,014.77	12:5/8" x 11 1/2"	12"
	19.50	1/4" x 10"	400-19.50-1A	1,906.36	2,284.56	2,811.64	2,622.11	3,000.35	3,527.40	12:5/8" x 15"	15 1/2"
	19.50	3/8" x 7"	400-19.50-2	1,688.94	1,989.66	2,525.22	2,498.65	2,828.80	3,151.53	12:5/8" x 11 1/2"	12"
	19.50	3/8" x 10"	400-19.50-3	2,119.35	2,497.58	3,024.62	2,835.15	3,213.33	3,740.42	12:5/8" x 15"	15 1/2"
20"	20.00	1/4" x 7"	400-20.00-1	1,552.20	1,852.90	2,388.48	2,178.52	2,479.20	3,014.77	12:5/8" x 11 1/2"	12"
	20.00	1/4" x 10"	400-20.00-1A	1,962.45	2,340.71	2,867.73	2,678.25	3,056.47	3,583.48	12:5/8" x 15"	15 1/2"
	20.00	3/8" x 7"	400-20.00-2	1,727.52	2,028.19	2,563.78	2,756.87	2,990.76	3,190.09	12:5/8" x 11 1/2"	12"
	20.00	3/8" x 10"	400-20.00-3	2,162.47	2,540.69	3,067.75	2,878.22	3,256.47	3,783.50	12:5/8" x 15"	15 1/2"
	21.60	1/4" x 7"	400-21.60-1	1,665.60	1,966.28	2,501.86	2,324.57	2,625.26	3,160.87	12:5/8" x 11 1/2"	12"
	21.60	1/4" x 10"	400-21.60-1A	2,010.04	2,388.29	2,915.32	2,763.20	3,141.44	3,668.48	12:5/8" x 15"	15 1/2"
	21.60	3/8" x 7"	400-21.60-2	2,284.36	2,585.08	2,846.30	2,943.37	3,244.09	3,505.31	12:5/8" x 11 1/2"	12"
	21.60	3/8" x 10"	400-21.60-3	2,856.76	3,235.00	3,762.03	3,609.90	3,988.16	4,515.18	12:5/8" x 15"	15 1/2"
22"	22.00	1/4" x 7"	400-22.00-1	1,665.60	1,966.28	2,501.86	2,324.57	2,625.26	3,160.87	12:5/8" x 11 1/2"	12"
	22.00	1/4" x 10"	400-22.00-1A	2,010.04	2,388.29	2,915.32	2,763.20	3,141.44	3,668.48	12:5/8" x 15"	15 1/2"
	22.00	3/8" x 7"	400-22.00-2	2,284.36	2,585.08	2,846.30	2,943.37	3,244.09	3,505.31	12:5/8" x 11 1/2"	12"
	22.00	3/8" x 10"	400-22.00-3	2,856.76	3,235.00	3,762.03	3,609.90	3,988.16	4,515.18	12:5/8" x 15"	15 1/2"
24"	24.00	1/4" x 7"	400-24.00-1	1,938.88	2,289.64	2,914.55	2,642.94	3,010.90	3,618.59	14:5/8" x 11 1/2"	12"
	24.00	1/4" x 10"	400-24.00-1A	2,188.13	2,629.32	3,244.29	2,992.70	3,433.93	4,048.88	14:5/8" x 15"	15 1/2"
	24.00	3/8" x 7"	400-24.00-2	2,459.72	2,810.50	3,435.36	3,163.75	3,514.52	4,139.44	14:5/8" x 11 1/2"	12"
	24.00	3/8" x 10"	400-24.00-3	2,861.57	3,302.79	3,917.75	3,666.16	4,107.39	4,722.32	14:5/8" x 15"	15 1/2"

Other sizes available. Price on application.

 Large Size Style 400 Couplings are No Cancel, No Return Items.

 WARNING: Flexible couplings do not provide protection against possible pullout of pipe ends in unrestrained conditions.

COUPLINGS

STYLE 400 STEEL COUPLING (FOR 12" AND LARGER PIPE)



NOM. PIPE SIZE	OUTSIDE DIAMETER O.D.	CENTER RING (A) x (B)	CATALOG NUMBER	LIST PRICE						BOLT NO : SIZE	OVERALL LENGTH (L)
				SHOPCOAT			FUSION EPOXY				
				w/STD B&N	w/304 SS B&N	w/316 SS B&N	w/STD B&N	w/304 SS B&N	w/316 SS B&N		
24"	25.80	1/4" x 7"	400-25.80-1	\$2,022.04	\$2,372.79	\$2,997.73	\$2,959.82	\$3,310.57	\$3,935.49	14: 5/8" x 11 1/2"	12"
	25.80	1/4" x 10"	400-25.80-1A	2,235.95	2,677.20	3,292.10	3,307.66	3,748.90	4,363.82	14: 5/8" x 15"	15 1/2"
	25.80	3/8" x 7"	400-25.80-2	2,645.39	2,996.15	3,621.02	3,583.15	3,933.93	4,558.80	14: 5/8" x 11 1/2"	12"
	25.80	3/8" x 10"	400-25.80-3	3,310.57	3,751.79	4,366.75	4,382.23	4,823.51	5,438.42	14: 5/8" x 15"	15 1/2"
26"	26.00	1/4" x 7"	400-26.00-1	2,105.56	2,456.32	3,081.23	3,043.34	3,394.10	4,018.99	14: 5/8" x 11 1/2"	12"
	26.00	1/4" x 10"	400-26.00-1A	2,282.32	2,723.56	3,338.49	3,354.03	3,795.23	4,410.19	14: 5/8" x 15"	15 1/2"
	26.00	3/8" x 7"	400-26.00-2	2,650.08	3,000.85	3,625.74	3,587.86	3,938.59	4,563.52	14: 5/8" x 11 1/2"	12"
	26.00	3/8" x 10"	400-26.00-3	3,310.57	3,751.79	4,366.75	4,382.23	4,823.51	5,438.42	14: 5/8" x 15"	15 1/2"
28"	28.00	1/4" x 7"	400-28.00-1	2,169.48	3,522.26	3,284.51	3,121.36	3,522.26	4,236.39	16: 5/8" x 11 1/2"	12"
	28.00	1/4" x 10"	400-28.00-1A	2,411.24	2,915.56	3,618.28	3,498.96	4,003.28	4,706.01	16: 5/8" x 15"	15 1/2"
	28.00	3/8" x 7"	400-28.00-2	2,654.91	3,055.81	3,769.94	3,606.82	4,007.70	4,721.86	16: 5/8" x 11 1/2"	12"
	28.00	3/8" x 10"	400-28.00-3	3,315.41	3,819.73	4,522.44	4,403.13	4,907.45	5,610.18	16: 5/8" x 15"	15 1/2"
30"	30.00	1/4" x 7"	400-30.00-1	2,264.90	2,665.78	3,379.93	3,231.03	3,631.91	4,346.08	16: 5/8" x 11 1/2"	12"
	30.00	1/4" x 10"	400-30.00-1A	2,528.85	3,033.18	3,735.89	3,632.96	4,137.29	4,957.80	16: 5/8" x 15"	15 1/2"
	30.00	3/8" x 7"	400-30.00-2	2,659.65	3,065.30	3,774.70	3,625.77	4,026.65	4,740.82	16: 5/8" x 11 1/2"	12"
	30.00	3/8" x 10"	400-30.00-3	3,320.08	3,824.41	4,527.14	4,424.22	4,928.52	5,631.25	16: 5/8" x 15"	15 1/2"
	32.00	1/4" x 7"	400-32.00-1	2,342.75	2,743.67	3,457.79	3,322.01	3,722.91	4,437.04	16: 5/8" x 11 1/2"	12"
	32.00	1/4" x 10"	400-32.00-1A	2,616.18	3,120.51	3,823.22	3,750.76	4,255.09	4,957.82	16: 5/8" x 15"	15 1/2"
	32.00	3/8" x 7"	400-32.00-2	2,664.40	3,065.30	3,779.43	3,643.64	4,044.53	4,758.69	16: 5/8" x 11 1/2"	12"
	32.00	3/8" x 10"	400-32.00-3	3,324.89	3,829.20	4,531.91	4,459.47	4,963.78	5,666.49	16: 5/8" x 15"	15 1/2"
34"	34.00	1/4" x 7"	400-34.00-1	2,449.96	2,900.91	3,704.39	3,445.25	3,896.20	4,699.68	18: 5/8" x 11 1/2"	12"
	34.00	1/4" x 10"	400-34.00-1A	2,736.51	3,303.88	4,094.43	3,873.97	4,441.37	5,231.90	18: 5/8" x 15"	15 1/2"
	34.00	3/8" x 7"	400-34.00-2	2,696.88	2,861.64	3,951.31	3,692.20	4,143.15	4,946.62	18: 5/8" x 11 1/2"	12"
	34.00	3/8" x 10"	400-34.00-3	3,329.58	3,896.95	4,687.47	4,467.06	5,034.41	5,824.95	18: 5/8" x 15"	15 1/2"
36"	36.00	1/4" x 7"	400-36.00-1	2,527.89	2,978.82	3,782.30	3,538.09	3,989.04	4,791.82	18: 5/8" x 11 1/2"	12"
	36.00	1/4" x 10"	400-36.00-1A	2,827.04	3,394.40	4,184.98	3,981.55	4,548.91	5,339.47	18: 5/8" x 15"	15 1/2"
	36.00	3/8" x 7"	400-36.00-2	2,790.61	3,241.56	4,045.02	3,800.80	4,251.76	5,055.22	18: 5/8" x 11 1/2"	12"
	36.00	3/8" x 10"	400-36.00-3	3,334.40	3,901.78	4,692.32	4,488.89	5,056.27	5,846.81	18: 5/8" x 15"	15 1/2"
	38.30	1/4" x 7"	400-38.30-1	2,606.49	3,057.41	3,860.90	3,631.85	4,082.78	4,886.28	18: 5/8" x 11 1/2"	12"
	38.30	1/4" x 10"	400-38.30-1A	2,920.69	3,488.09	4,278.62	4,092.55	4,659.92	5,450.46	18: 5/8" x 15"	15 1/2"
	38.30	3/8" x 7"	400-38.30-2	2,883.70	3,334.61	4,138.11	3,909.09	4,360.05	5,163.48	18: 5/8" x 11 1/2"	12"
	38.30	3/8" x 10"	400-38.30-3	3,339.22	3,906.59	4,697.15	4,511.08	5,078.43	5,868.99	18: 5/8" x 15"	15 1/2"
42"	42.00	1/4" x 7"	400-42.00-1	3,354.56	3,903.26	4,748.36	4,395.23	4,943.97	5,789.06	20: 5/8" x 11 1/2"	12"
	42.00	1/4" x 10"	400-42.00-1A	3,746.95	4,388.64	5,255.72	4,936.28	5,577.95	6,445.08	20: 5/8" x 15"	15 1/2"
	42.00	3/8" x 7"	400-42.00-2	3,652.98	4,201.68	5,046.78	4,694.52	5,242.37	6,088.32	20: 5/8" x 11 1/2"	12"
	42.00	3/8" x 10"	400-42.00-3	4,146.33	4,788.01	5,655.14	5,335.66	5,977.32	6,844.47	20: 5/8" x 15"	15 1/2"
	44.50	3/8" x 7"	400-44.50-2	3,771.52	4,320.24	5,165.31	4,827.95	5,376.67	6,221.74	20: 5/8" x 11 1/2"	12"
	44.50	3/8" x 10"	400-44.50-3	4,284.33	4,925.99	5,793.13	5,491.49	6,133.19	7,000.29	20: 5/8" x 15"	15 1/2"
48"	48.00	3/8" x 7"	400-48.00-2	4,039.17	4,642.75	5,572.36	5,111.37	5,714.98	6,644.53	22: 5/8" x 11 1/2"	12"
	48.00	3/8" x 10"	400-48.00-3	4,598.90	5,304.67	6,258.57	5,824.12	6,529.91	7,483.81	22: 5/8" x 15"	15 1/2"
	50.80	3/8" x 7"	400-50.80-2	5,147.56	5,751.14	6,680.75	6,235.76	6,839.37	7,768.94	22: 5/8" x 11 1/2"	12"
	50.80	3/8" x 10"	400-50.80-3	5,793.20	6,498.96	7,452.87	7,036.92	7,742.68	8,696.58	22: 5/8" x 15"	15 1/2"

Other sizes available. Price on application.

Large Size Style 400 Couplings are No Cancel, No Return Items.

WARNING: Flexible couplings do not provide protection against possible pullout of pipe ends in unrestrained conditions.



GENERAL INFORMATION FOR 400 SERIES COUPLINGS

Engineering data, such as end ring design and gasket size, may differ according to specific need and pressures. The table below is for general submittal information only for the diameters listed and the working pressures indicated. Requirements not shown in the following table will be engineered specifically for your needs upon request.

NOM. PIPE SIZE	OUTSIDE DIAMETER O.D.	CENTER RING (A) x (B)	MAX PSI WORK PRESS.	OVERALL DIAMETER (D)	LENGTH OVERALL (L)	APPROX. WEIGHT (lbs.)
12"	13.20	1/4" x 7"	390	17.5	12"	65 #
	13.20	1/4" x 10"	390		15 1/2"	77 #
	13.20	3/8" x 7"	390		12"	76 #
	13.20	3/8" x 10"	390		15 1/2"	92 #
14"	14.00	1/4" x 7"	368	18.3	12"	68 #
	14.00	1/4" x 10"	368		15 1/2"	80 #
	14.00	3/8" x 7"	368		12"	79 #
	14.00	3/8" x 10"	368		15 1/2"	96 #
	15.30	1/4" x 7"	423		19.6	12"
15.30	1/4" x 10"	423	15 1/2"	88 #		
15.30	3/8" x 7"	423	12"	87 #		
15.30	3/8" x 10"	423	15 1/2"	106 #		
16"	16.00	1/4" x 7"	405	20.3	12"	77 #
	16.00	1/4" x 10"	405		15 1/2"	91 #
	16.00	3/8" x 7"	405		12"	90 #
	16.00	3/8" x 10"	405		15 1/2"	110 #
	17.40	1/4" x 7"	374		21.7	12"
17.40	1/4" x 10"	374	15 1/2"	97 #		
17.40	3/8" x 7"	374	12"	96 #		
17.40	3/8" x 10"	374	15 1/2"	117 #		
18"	18.00	1/4" x 7"	362	22.3	12"	84 #
	18.00	1/4" x 10"	362		15 1/2"	100 #
	18.00	3/8" x 7"	362		12"	99 #
	18.00	3/8" x 10"	362		15 1/2"	121 #
	19.50	1/4" x 7"	402		23.8	12"
19.50	1/4" x 10"	402	15 1/2"	109 #		
19.50	3/8" x 7"	402	12"	108 #		
19.50	3/8" x 10"	402	15 1/2"	131 #		
20"	20.00	1/4" x 7"	392	24.3	12"	94 #
	20.00	1/4" x 10"	392		15 1/2"	111 #
	20.00	3/8" x 7"	392		12"	110 #
	20.00	3/8" x 10"	392		15 1/2"	134 #
	21.60	1/4" x 7"	364		25.9	12"
21.60	1/4" x 10"	364	15 1/2"	118 #		
21.60	3/8" x 7"	364	12"	117 #		
21.60	3/8" x 10"	364	15 1/2"	143 #		
22"	22.00	1/4" x 7"	357	26.3	12"	101 #
	22.00	1/4" x 10"	357		15 1/2"	120 #
	22.00	3/8" x 7"	357		12"	118 #
	22.00	3/8" x 10"	357		15 1/2"	145 #
24"	24.00	1/4" x 7"	333	28.3	12"	110 #
	24.00	1/4" x 10"	333		15 1/2"	131 #
	24.00	3/8" x 7"	386		12"	129 #
	24.00	3/8" x 10"	386		15 1/2"	158 #
	25.80	1/4" x 7"	310		30.1	12"
25.80	1/4" x 10"	310	15 1/2"	138 #		
25.80	3/8" x 7"	360	12"	137 #		
25.80	3/8" x 10"	360	15 1/2"	168 #		

Note: See page 3-25 & 3-26 for options and application data.

NOM. PIPE SIZE	OUTSIDE DIAMETER O.D.	CENTER RING (A) x (B)	MAX PSI WORK PRESS.	OVERALL DIAMETER (D)	LENGTH OVERALL (L)	APPROX. WEIGHT (lbs.)
26"	26.00	1/4" x 7"	307	30.40	12"	117 #
	26.00	1/4" x 10"	307		15 1/2"	139 #
	26.00	3/8" x 7"	357		12"	138 #
	26.00	3/8" x 10"	357		15 1/2"	169 #
28"	28.00	1/4" x 7"	285	32.40	12"	127 #
	28.00	1/4" x 10"	285		15 1/2"	151 #
	28.00	3/8" x 7"	380		12"	149 #
	28.00	3/8" x 10"	380		15 1/2"	182 #
30"	30.00	1/4" x 7"	266	34.40	12"	134 #
	30.00	1/4" x 10"	266		15 1/2"	159 #
	30.00	3/8" x 7"	354		12"	158 #
	30.00	3/8" x 10"	354		15 1/2"	193 #
	32.00	1/4" x 7"	250		36.40	12"
32.00	1/4" x 10"	250	15 1/2"	168 #		
32.00	3/8" x 7"	333	12"	166 #		
32.00	3/8" x 10"	333	15 1/2"	204 #		
34"	34.00	1/4" x 7"	235	38.40	12"	148 #
	34.00	1/4" x 10"	235		15 1/2"	176 #
	34.00	3/8" x 7"	311		12"	175 #
	34.00	3/8" x 10"	311		15 1/2"	215 #
36"	36.00	1/4" x 7"	222	40.40	12"	158 #
	36.00	1/4" x 10"	222		15 1/2"	187 #
	36.00	3/8" x 7"	333		12"	186 #
	36.00	3/8" x 10"	333		15 1/2"	228 #
	38.30	1/4" x 7"	208		42.70	12"
38.30	1/4" x 10"	208	15 1/2"	197 #		
38.30	3/8" x 7"	313	12"	196 #		
38.30	3/8" x 10"	313	15 1/2"	240 #		
42"	42.00	1/4" x 7"	190	46.90	12"	223 #
	42.00	1/4" x 10"	190		15 1/2"	257 #
	42.00	3/8" x 7"	288		12"	256 #
	42.00	3/8" x 10"	288		15 1/2"	305 #
	44.50	3/8" x 7"	269		49.40	12"
44.50	3/8" x 10"	269	15 1/2"	320 #		
48"	48.00	3/8" x 7"	250	52.90	12"	290 #
	48.00	3/8" x 10"	250		15 1/2"	345 #
	50.80	3/8" x 7"	236		55.70	12"
50.80	3/8" x 10"	236	15 1/2"	362 #		
54"	54.00	3/8" x 10"	222	58.90	15 1/2"	385 #
	54.00	1/2" x 10"	270		15 1/2"	446 #
60"	60.00	3/8" x 10"	200	64.90	15 1/2"	428 #
	60.00	1/2" x 10"	266		15 1/2"	495 #
66"	66.00	3/8" x 10"	181	70.90	15 1/2"	468 #
	66.00	1/2" x 10"	242		15 1/2"	542 #
72"	72.00	3/8" x 10"	167	77.0	15 1/2"	508 #
	72.00	1/2" x 10"	222		15 1/2"	588 #
96"	96.00	1/2" x 10"	166	101.0	15 1/2"	954 #

Other sizes available. Price on application.