

EJ400 EXPANSION JOINTS



MATERIAL SPECIFICATIONS

ALL STAINLESS STEEL EXPANSION JOINTS AVAILABLE ON REQUEST

BODY: ASTM A36 Carbon Steel.

SLIP PIPE: Type 304 stainless steel.

BOLTS AND NUTS: Trackhead bolts, heavy hex nuts, 5/8" UNC rolled thread, high strength, low alloy, corrosion resistant steel per AWWA C111. Stainless steel available on request.

PACKING: Alternating combination of rubber and wax impregnated flax packing compounded for water service. Other packing material available upon request.

END PREPARATION: Flanged, beveled for welding, grooved plain end, MJ with RomaGrips™ or customer specified.

COATING: Shop coat applied to A36 steel parts for corrosion protection in transit. Romacoat – FB available on request.

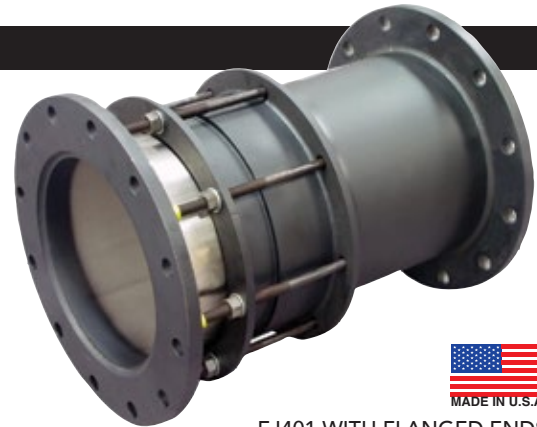
USE: In pipelines where larger than usual longitudinal movements are concentrated. Not recommended for buried applications.

MEETS
AWWA C221



NSF61 certified upon request.

Certified to
NSF/ANSI 61 & 372



EJ401 WITH FLANGED ENDS

ROMAC EXPANSION JOINTS ARE AVAILABLE IN TWO MODLES

EJ401: No Limit Rods, Single End

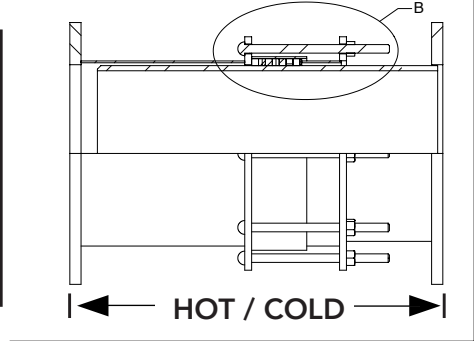
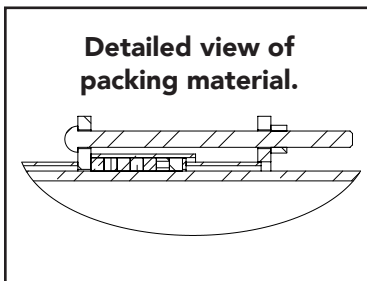
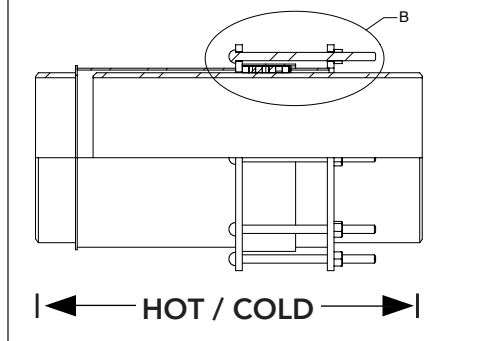
EJ403: Limit Rods, Single End. For use when more than one expansion joint is used in series.

Romac Expansion Joints are factory designed and set for 10 inches of movement (total travel), unless otherwise specified. Romac Expansion Joints meet the requirements of AWWA C221. Romac Expansion Joints do not provide restraint against thrust forces.

EJ401 (NO LIMIT RODS)

BEVELED ENDS

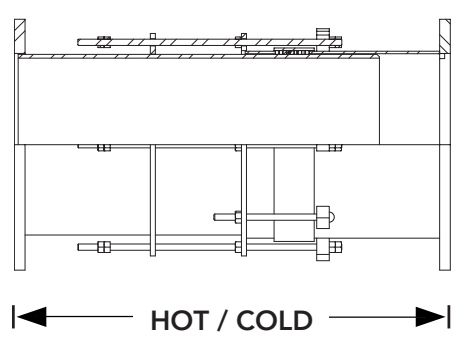
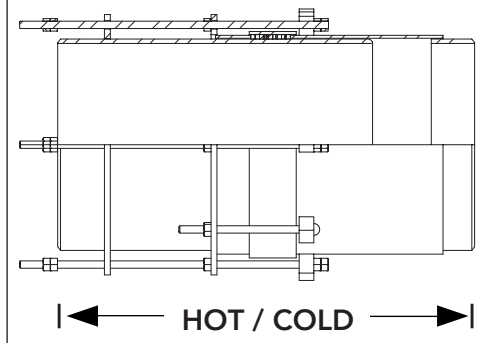
FLANGED ENDS



EJ403 (WITH LIMIT RODS)

BEVELED ENDS

FLANGED ENDS





EJ401 EXPANSION JOINTS

EJ401 (SINGLE END, NO LIMIT RODS) BEVELED ENDS

NOM. PIPE SIZE	PIPE O.D.	CATALOG NUMBER	DIMENSIONS				BOLTS 5/8-11x11"	LIMIT ROD LGTH	APX. WT.	LIST PRICE					
			HOT	COLD	DIA	SHOPCOAT				FUSION EPOXY					
						ALLOY				304 SS	316 SS	ALLOY	304 SS	316 SS	
3"	3.50	EJ401-03-B	26.19	36.19	7.69	4		36	\$8,670.05	\$9,540.38	\$9,975.55	\$9,128.39	\$9,995.09	\$10,430.25	
4"	4.50	EJ401-04-B	26.19	36.19	8.69	4		44	9,165.69	10,085.59	10,545.54	9,711.34	10,540.29	11,000.24	
5"	5.56	EJ401-05-B	26.38	36.38	9.75	4		54	POA						
6"	6.63	EJ401-06-B	26.38	36.38	10.81	5		63	10,838.86	11,944.39	12,488.83	11,294.83	12,576.60	13,132.06	
8"	8.63	EJ401-08-B	26.38	36.38	12.81	6		115	12,158.62	13,405.29	14,016.13	12,526.16	13,945.66	14,567.29	
10"	10.75	EJ401-10-B	26.38	36.38	14.94	7		151	12,856.75	14,182.38	14,828.55	13,338.17	14,757.08	15,557.64	
12"	12.75	EJ401-12-B	26.38	36.38	16.94	8		181	17,085.62	18,843.30	19,701.33	17,652.40	19,371.86	20,245.48	
14"	14.00	EJ401-14-B	28.13	38.13	19.38	8		249	19,400.17	21,398.46	22,372.63	20,017.51	21,973.47	22,965.36	
16"	16.00	EJ401-16-B	28.13	38.13	21.38	8		283	28,186.57	31,072.65	32,486.56	28,931.10	31,769.65	33,205.31	
18"	18.00	EJ401-18-B	28.13	38.13	23.38	8	NA	316	31,969.69	35,243.25	36,846.73	32,832.52	36,069.99	37,702.62	
20"	20.00	EJ401-20-B	28.13	38.13	25.38	10		353	45,024.40	49,612.59	51,869.22	46,014.32	50,556.81	52,808.44	
24"	24.00	EJ401-24-B	28.13	38.13	29.38	12		423	48,288.80	53,212.59	55,632.86	49,333.80	54,208.24	56,623.16	
30"	30.00	EJ401-30-B	28.13	38.13	35.38	14		527	POA						
36"	36.00	EJ401-36-B	28.13	38.13	41.38	16		631	POA						
42"	42.00	EJ401-42-B	28.13	38.13	47.38	20		738	POA						
48"	48.00	EJ401-48-B	28.13	38.13	53.38	22		842	POA						
54"	54.00	EJ401-54-B	28.25	38.25	59.38	24		1132	POA						
60"	60.00	EJ401-60-B	28.25	38.25	65.38	28		1260	POA						
72"	72.00	EJ401-72-B	28.25	38.25	77.38	32		1509	POA						

EJ401 (SINGLE END, NO LIMIT RODS) FLANGED ENDS (AWWA C207 CLASS D)*

NOM. PIPE SIZE	PIPE O.D.	CATALOG NUMBER	DIMENSIONS				BOLTS 5/8-11x11"	LIMIT ROD LGTH	APX. WT.	LIST PRICE					
			HOT	COLD	DIA	SHOPCOAT				FUSION EPOXY					
						ALLOY				304 SS	316 SS	ALLOY	304 SS	316 SS	
3"	3.50	EJ401-03-F	25.13	35.13	8.25	4		51	\$8,703.35	\$9,573.68	\$10,008.85	\$9,161.69	\$10,028.39	\$10,463.55	
4"	4.50	EJ401-04-F	25.13	35.13	9.00	4		62	9,198.99	10,118.89	10,578.84	9,744.64	10,573.59	11,033.54	
5"	5.56	EJ401-05-F	25.25	35.25	10.00	4		74	POA						
6"	6.63	EJ401-06-F	25.44	35.44	11.00	5		77	10,888.81	11,977.69	12,522.13	11,328.13	12,609.90	13,165.36	
8"	8.63	EJ401-08-F	25.44	35.44	13.50	6		138	12,216.90	13,438.59	14,049.43	12,559.46	13,978.96	14,600.59	
10"	10.75	EJ401-10-F	25.56	35.56	16.00	7		182	12,923.35	14,215.68	14,861.85	13,371.47	14,790.38	15,590.94	
12"	12.75	EJ401-12-F	25.94	35.94	19.00	8		238	17,160.54	18,876.60	19,734.63	17,685.70	19,405.16	20,278.78	
14"	14.00	EJ401-14-F	26.13	36.13	21.00	8		326	19,483.42	21,431.76	22,405.93	20,050.81	22,006.77	22,998.66	
16"	16.00	EJ401-16-F	26.13	36.13	23.50	8	NA	379	28,278.14	31,105.95	32,519.86	28,964.40	31,802.95	33,238.61	
18"	18.00	EJ401-18-F	26.38	36.38	25.00	8		418	32,069.59	35,276.55	36,880.03	32,865.82	36,103.29	37,735.92	
20"	20.00	EJ401-20-F	26.50	36.50	27.50	10		484	45,132.63	49,645.89	51,902.52	46,047.62	50,590.11	52,841.74	
24"	24.00	EJ401-24-F	26.88	36.88	32.00	12		614	48,405.35	53,245.89	55,666.16	49,367.10	54,241.54	56,656.46	
30"	30.00	EJ401-30-F	27.13	37.13	38.75	14		815	POA						
36"	36.00	EJ401-36-F	27.88	37.88	46.00	16		1109	POA						
42"	42.00	EJ401-42-F	28.13	38.13	53.00	20		1415	POA						
48"	48.00	EJ401-48-F	28.38	38.38	59.50	22		1706	POA						
54"	54.00	EJ401-54-F	29.25	39.25	66.25	24		2324	POA						
60"	60.00	EJ401-60-F	29.50	39.50	73.00	28		2749	POA						
72"	72.00	EJ401-72-F	30.25	40.25	86.50	32		3882	POA						

* Other Class flanges available on request. Configurations may change depending on application.

No Cancel, No Return Item.

EJ403 EXPANSION JOINTS



EJ403 (SINGLE END, WITH LIMIT RODS) BEVELED ENDS

NOM. PIPE SIZE	PIPE O.D.	CATALOG NUMBER	DIMENSIONS			BOLTS 5/8-11x11"	LIMIT ROD LGTH	APX. WT.	LIST PRICE					
			HOT	COLD	DIA				SHOPCOAT			FUSION EPOXY		
									ALLOY	304 SS	316 SS	ALLOY	304 SS	316 SS
3"	3.50	EJ403-03-B	30.19	40.19	7.69	4	26.00	47	\$10,632.26	\$11,698.81	\$12,232.09	\$11,065.31	\$12,131.86	\$12,665.14
4"	4.50	EJ403-04-B	30.19	40.19	8.69	4	26.00	56	10,796.52	11,879.51	12,421.00	11,236.67	12,326.02	12,870.70
5"	5.56	EJ403-05-B	30.38	40.38	9.75	4	25.88	66	POA					
6"	6.63	EJ403-06-B	30.38	40.38	10.81	6	26.00	82	13,584.18	16,117.89	16,852.04	14,113.42	16,669.91	17,404.06
8"	8.63	EJ403-08-B	30.38	40.38	12.81	6	25.88	139	14,005.24	20,207.65	21,127.70	14,562.04	20,777.02	21,697.07
10"	10.75	EJ403-10-B	30.38	40.38	14.94	8	26.00	187	20,551.98	22,647.14	23,678.07	21,018.84	23,080.69	24,111.62
12"	12.75	EJ403-12-B	30.38	40.38	16.94	8	25.88	217	22,038.77	27,766.78	29,030.42	22,585.80	28,344.38	29,608.02
14"	14.00	EJ403-14-B	32.13	42.13	19.38	8	26.50	285	25,023.74	27,584.39	28,839.74	25,646.44	28,157.14	29,412.49
16"	16.00	EJ403-16-B	32.13	42.13	21.38	8	26.50	322	31,158.55	34,341.84	35,904.35	31,906.83	35,031.84	36,594.35
18"	18.00	EJ403-18-B	32.13	42.13	23.38	8	26.50	359	39,164.54	43,157.59	45,120.81	39,999.91	43,926.36	45,889.58
20"	20.00	EJ403-20-B	32.13	42.13	25.38	10	26.50	401	46,444.21	51,174.38	53,502.00	47,441.06	52,096.30	54,423.92
24"	24.00	EJ403-24-B	32.13	42.13	29.38	12	26.50	481	57,927.71	63,815.39	66,717.60	59,011.67	64,816.10	67,718.31
30"	30.00	EJ403-30-B	32.13	42.13	35.38	14	26.50	597	POA					
36"	36.00	EJ403-36-B	32.13	42.13	41.38	16	26.50	714						
42"	42.00	EJ403-42-B	32.13	42.13	47.38	20	26.50	835						
48"	48.00	EJ403-48-B	32.13	42.13	53.38	22	26.50	952						
54"	54.00	EJ403-54-B	32.25	42.25	59.38	24	26.75	1259						
60"	60.00	EJ403-60-B	32.25	42.25	65.38	28	26.75	1401						
72"	72.00	EJ403-72-B	32.25	42.25	77.38	32	26.75	1677						

EJ403 (SINGLE END, WITH LIMIT RODS) FLANGED ENDS

NOM. PIPE SIZE	PIPE O.D.	CATALOG NUMBER	DIMENSIONS			BOLTS 5/8-11x11"	LIMIT ROD LGTH	APX. WT.	LIST PRICE					
			HOT	COLD	DIA				SHOPCOAT			FUSION EPOXY		
									ALLOY	304 SS	316 SS	ALLOY	304 SS	316 SS
3"	3.50	EJ403-03-F	40.25	50.25	8.25	4	26.63	59	\$10,665.56	\$11,732.11	\$12,265.39	\$11,098.61	\$12,165.16	\$12,698.44
4"	4.50	EJ403-04-F	40.25	50.25	9.00	4	26.63	72	10,829.82	11,912.81	12,454.30	11,269.97	12,359.32	12,904.00
5"	5.56	EJ403-05-F	40.56	50.56	10.00	4	26.63	87	POA					
6"	6.63	EJ403-06-F	40.75	50.75	11.00	6	26.75	95	13,634.13	16,151.19	16,885.34	14,146.72	16,703.21	17,437.36
8"	8.63	EJ403-08-F	40.75	50.75	13.50	6	26.63	180	14,063.52	20,240.95	21,161.00	14,595.34	20,810.32	21,730.37
10"	10.75	EJ403-10-F	40.88	50.88	16.00	8	26.88	243	20,618.58	22,680.44	23,711.37	21,052.14	23,113.99	24,144.92
12"	12.75	EJ403-12-F	41.25	51.25	19.00	8	26.75	309	22,113.70	27,800.08	29,063.72	22,619.10	28,377.68	29,641.32
14"	14.00	EJ403-14-F	41.25	51.25	21.00	8	27.50	363	25,106.99	27,617.69	28,873.04	25,679.74	28,190.44	29,445.79
16"	16.00	EJ403-16-F	41.38	51.38	23.50	8	27.50	425	31,250.13	34,375.14	35,937.65	31,940.13	35,065.14	36,627.65
18"	18.00	EJ403-18-F	41.63	51.63	25.00	8	27.75	467	39,264.44	43,190.89	45,154.11	40,033.21	43,959.66	45,922.88
20"	20.00	EJ403-20-F	41.75	51.75	27.50	10	27.75	539	46,552.44	51,207.68	53,535.30	47,474.36	52,129.60	54,457.22
24"	24.00	EJ403-24-F	42.13	52.13	32.00	12	27.75	680	58,044.26	63,848.69	66,750.90	59,044.97	64,849.40	67,751.61
30"	30.00	EJ403-30-F	42.38	52.38	38.75	14	27.75	895	POA					
36"	36.00	EJ403-36-F	43.13	53.13	46.00	16	28.00	1207						
42"	42.00	EJ403-42-F	43.38	53.38	53.00	20	28.00	1534						
48"	48.00	EJ403-48-F	43.63	53.63	59.50	22	28.00	1842						
54"	54.00	EJ403-54-F	44.63	54.63	66.25	24	28.50	2477						
60"	60.00	EJ403-60-F	44.88	54.88	73.00	28	28.50	2924						
72"	72.00	EJ403-72-F	45.63	55.63	86.50	32	28.50	4106						

* Other Class flanges available on request.
Configurations may change depending on application.

No Cancel, No Return Item.

FLANGED COUPLING