



# FTS420T FABRICATED STEEL TAPPING SADDLE

## MATERIAL SPECIFICATIONS

**BODY:** Carbon steel, A-36 or equal.

**OUTLET:** NPT (IP) or AWWA (CC) Female Threads

**BOLTS AND NUTS:** Trackhead bolts, heavy hex nuts, 3/4" UNC rolled thread, high strength, low alloy, steel per AWWA C111. Optional stainless steel, type 304.

**GASKETS:** SBR per ASTM D2000 MBA 710, compounded for water and sewer service use. Other compounds available on request.

**COATING:** Romac shopcoat for corrosion protection in transit. Optional Romacoat fusion bonded epoxy NSF 61 certified. Other coatings available. Romac packages sleeves to protect any special coatings.

**(Contact Factory for IPS size PVC pipe)**



NSF61 certified upon request.

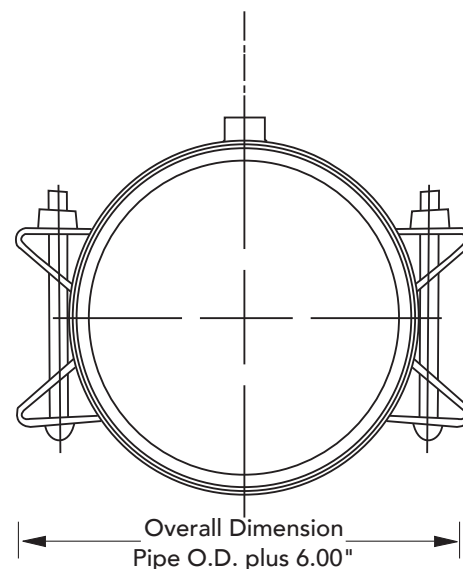
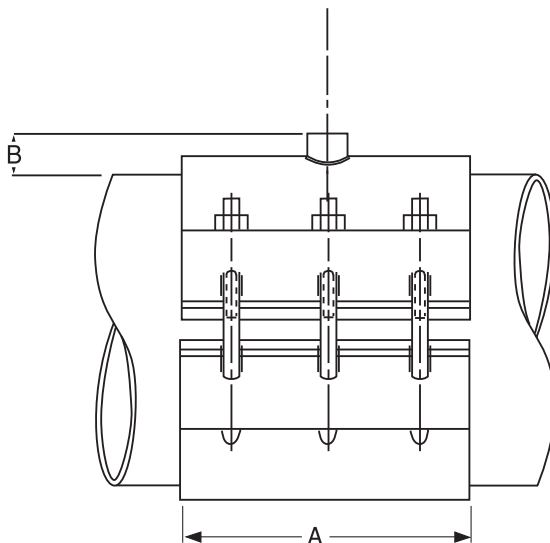
## USE

The FTS420T Fabricated Tapping Saddle is used to make a branch outlet from a main supply line on most types of pipe except reinforced concrete cylinder pipe. FTS420T is designed for rigid pipe. It is not recommended for thin or brittle pipe such as high DR C900, IPS PVC, PIP, SDR35. For these applications use FTS419T.

Romac's unique sealing gasket is reinforced with a stainless steel ring, molded into the gasket in our own rubber facility. This eliminates the need for a groove in the sleeve, making the shell "full strength."

MAIN SIZE	OUTLET SIZE	A	B	BOLTS QTY: SIZE
6" - 32"	1/2" - 2 1/2"	8"	1.7	4: 3/4" x 9" <sup>1</sup>
6" - 20"	3"	8"	2.0	4: 3/4" x 9" <sup>1</sup>
24" - 32"	3"	12"	2.0	6: 3/4" x 9"
6" - 48"	4"	12"	2.2	6: 3/4" x 9" <sup>1</sup>

<sup>1</sup>Bolts are 8" long up through 12".



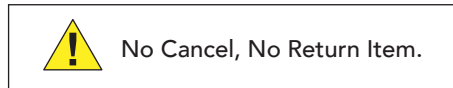
# FTS420T FABRICATED STEEL TAPPING SADDLE



NOM. PIPE SIZE	SLEEVE O.D. RANGE	CATALOG NUMBER			LIST PRICE EACH				APPROX. WEIGHT (lbs.)
		SLEEVE #	BY	OUTLET SIZE	SHOPCOAT		FUSION EPOXY		
					w/STD B&N	w/304 SS B&N	w/STD B&N	w/304 SS B&N	
6"	6.83 – 7.16	FTS420T - 7.16	X	1/2" IP	\$727.22	\$866.23	\$871.59	\$1,010.59	29#
	7.05 – 7.40	FTS420T - 7.40		3/4", 1", 1 1/4", 1 1/2", 2" 2 1/2" IP, CC	727.22	866.23	871.59	1,010.59	29#
	7.40 – 7.73	FTS420T - 7.73		3" FIP	899.58	1,038.61	1,043.94	1,182.95	33#
				4" FIP	1,028.80	1,237.26	1,245.34	1,453.79	50#
8"	7.74 - 8.35	FTS420T - 8.35	X	1/2" IP	755.44	894.45	911.92	1,050.90	34#
	8.36 – 8.75	FTS420T - 8.75		3/4", 1", 1 1/4", 1 1/2", 2" 2 1/2" IP, CC	755.44	894.45	911.92	1,050.90	34#
	8.98 – 9.37	FTS420T - 9.37		3" FIP	927.79	1,066.83	1,084.23	1,223.26	38#
	9.27 – 9.69	FTS420T - 9.69		4" FIP	1,055.54	1,263.98	1,290.16	1,498.60	59#
10"	9.83 – 10.25	FTS420T - 10.25	X	1/2" IP	973.53	1,112.54	1,143.44	1,282.42	39#
	10.64 – 10.86	FTS420T - 10.86		3/4", 1", 1 1/4", 1 1/2", 2" 2 1/2" IP, CC	973.53	1,112.54	1,143.44	1,282.42	39#
	10.87 – 11.02	FTS420T - 11.02		3" FIP	1,145.85	1,284.85	1,315.75	1,454.74	43#
	11.03 – 11.47	FTS420T - 11.47		4" FIP	1,248.80	1,457.26	1,503.71	1,712.17	66#
12"	12.25 – 12.61	FTS420T-12.61	X	1/2" IP	1,010.82	1,149.78	1,198.67	1,337.68	44#
	12.62 – 12.88	FTS420T-12.88		3/4", 1", 1 1/4", 1 1/2", 2" 2 1/2" IP, CC	1,010.82	1,149.78	1,198.67	1,337.68	44#
	13.13 – 13.60	FTS420T-13.60		3" FIP	1,183.13	1,322.14	1,371.03	1,510.06	48#
	13.60 – 14.09	FTS420T-14.09		4" FIP	1,281.55	1,490.03	1,563.40	1,771.84	74#
14"	14.59 – 15.08	FTS420T - 15.08	X	1/2" IP	1,046.50	1,185.46	1,251.61	1,390.59	47#
	15.23 – 15.80	FTS420T - 15.80		3/4", 1", 1 1/4", 1 1/2", 2" 2 1/2" IP, CC	1,046.50	1,185.46	1,251.61	1,390.59	47#
	15.73 – 16.22	FTS420T - 16.22		3" FIP	1,218.78	1,357.77	1,423.89	1,562.87	51#
	16.30 – 16.73	FTS420T - 16.73		4" FIP	1,313.90	1,522.34	1,621.39	1,829.84	78#
16"	16.74 – 17.26	FTS420T - 17.26	X	1/2" IP	1,082.98	1,221.99	1,322.51	1,461.49	54#
	17.33 – 17.87	FTS420T - 17.87		3/4", 1", 1 1/4", 1 1/2", 2" 2 1/2" IP, CC	1,082.98	1,221.99	1,322.51	1,461.49	54#
	17.88 – 18.43	FTS420T - 18.43		3" FIP	1,255.31	1,394.30	1,494.80	1,633.83	58#
	18.05 – 18.61	FTS420T - 18.61		4" FIP	1,346.19	1,554.68	1,705.56	1,914.03	88#
18"	18.87 – 19.45	FTS420T - 19.45	X	1/2" IP	1,128.09	1,267.11	1,375.92	1,514.97	63#
	19.41 – 20.01	FTS420T - 20.01		3/4", 1", 1 1/4", 1 1/2", 2" 2 1/2" IP, CC	1,128.09	1,267.11	1,375.92	1,514.97	63#
	20.00 – 20.60	FTS420T - 20.60		3" FIP	1,300.45	1,439.44	1,548.32	1,687.29	78#
	20.29 – 20.94	FTS420T - 20.94		4" FIP	1,423.31	1,631.78	1,795.25	2,003.73	96#
20"	21.51 – 22.15	FTS420T - 22.15	X	1/2" IP	1,187.19	1,326.19	1,443.37	1,582.37	65#
	22.16 – 22.81	FTS420T - 22.81		3/4", 1", 1 1/4", 1 1/2", 2" 2 1/2" IP, CC	1,187.19	1,326.19	1,443.37	1,582.37	65#
	22.78 – 23.45	FTS420T - 23.45		3" FIP	1,359.49	1,498.52	1,615.68	1,754.68	69#
	23.46 – 24.16	FTS420T - 24.16		4" FIP	1,439.46	1,647.93	1,823.94	2,032.40	106#
24.15 – 24.85	FTS420T - 24.85								

Other sizes, ranges and outlets available. Price on application.

Other Fabricated Tapping Sleeve products can be made with threaded outlets, such as FTS419T, STS420T, FTS425T. Contact Romac Engineering regarding these product options.



**TO ORDER:** Specify catalog number by the desired O.D. range and outlet size. Add S.S. for optional 304 stainless steel bolts & nuts, and F.E. for optional Romacoat fusion bonded epoxy NSF 61 certified.

**EXAMPLE:** FTS420T - 17.87 x 2 1/2" IP - SSFE

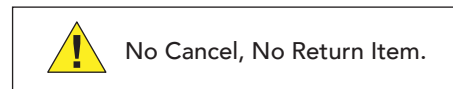


# FTS420T FABRICATED STEEL TAPPING SADDLE

NOM. PIPE SIZE	SLEEVE O.D. RANGE	CATALOG NUMBER			LIST PRICE EACH				APPROX. WEIGHT (lbs.)	
		SLEEVE #	BY	OUTLET SIZE	SHOPCOAT		FUSION EPOXY			
					w/STD B&N	w/304 SS B&N	w/STD B&N	w/304 SS B&N		
24"	24.82 – 25.52	FTS420T - 25.52	X	1/2" IP	\$1,236.45	\$1,375.44	\$1,522.01	\$1,652.56	111#	
	25.71 – 26.41	FTS420T - 26.41		3/4", 1", 1 1/4", 1 1/2", 2" 2 1/2" IP, CC	1,236.45	1,375.44	1,522.01	1,652.56	111#	
	26.55 – 27.25	FTS420T - 27.25		3" FIP	1,603.41	1,621.71	1,898.52	2,037.53	115#	
	27.26 – 27.96	FTS420T - 27.96		4" FIP	1,691.17	1,899.65	2,282.98	2,491.46	119#	
	27.43 – 28.13	FTS420T - 28.13								
28.14 – 28.84	FTS420T - 28.84									
30"	29.78 – 30.48	FTS420T - 30.48	X	1/2" IP	1,344.35	1,483.35	1,642.74	1,781.73	131#	
	30.48 – 31.18	FTS420T - 31.18		3/4", 1", 1 1/4", 1 1/2", 2" 2 1/2" IP, CC	1,344.35	1,483.35	1,642.74	1,781.73	131#	
	31.15 – 31.85	FTS420T - 31.85		3" FIP	1,603.41	1,742.41	2,050.91	2,189.89	135#	
	31.30 – 32.00	FTS420T - 32.00		4" FIP	1,811.89	2,020.36	2,435.40	2,643.87	139#	
	31.52 – 32.22	FTS420T - 32.22								
	32.20 – 33.00	FTS420T - 33.00								
	33.00 – 33.80	FTS420T - 33.80								
33.80 – 34.60	FTS420T - 34.60									
34.60 – 35.40	FTS420T - 35.40									
36"	35.40 – 36.20	FTS420T - 36.20	X	1/2" IP	2,043.07	2,182.07	2,341.46	2,480.45	130#	
	36.20 – 37.00	FTS420T - 37.00		3/4", 1", 1 1/4", 1 1/2", 2" 2 1/2" IP, CC	2,043.07	2,182.07	2,341.46	2,480.45	130#	
	37.00 – 37.80	FTS420T - 37.80		3" FIP	2,302.03	2,481.24	2,583.13	2,791.61	194#	
	37.80 – 38.60	FTS420T - 38.60		4" FIP	2,510.60	2,719.08	3,163.38	3,342.59	197#	
	38.60 – 39.40	FTS420T - 39.40								
	39.40 – 40.20	FTS420T - 40.20								
40.20 – 41.00	FTS420T - 41.00									
41.00 – 41.80	FTS420T - 41.80									
42"	41.80 – 42.60	FTS420T - 42.60	X	1/2" IP	2,741.79	2,880.78	3,040.17	3,179.17	138#	
	42.60 – 43.40	FTS420T - 43.40		3/4", 1", 1 1/4", 1 1/2", 2" 2 1/2" IP, CC	2,741.79	2,880.78	3,040.17	3,179.17	138#	
	43.40 – 44.20	FTS420T - 44.20		3" FIP	3,000.85	3,180.06	3,281.84	3,359.27	207#	
	44.20 – 45.00	FTS420T - 45.00		4" FIP	3,682.88	3,862.09	3,915.98	4,041.30	210#	
48"	45.00 – 45.80	FTS420T - 45.80	X	1/2" IP	3,440.51	3,579.50	3,738.89	3,877.88	203#	
	45.80 – 46.60	FTS420T - 46.60		3/4", 1", 1 1/4", 1 1/2", 2" 2 1/2" IP, CC	3,440.51	3,579.50	3,738.89	3,877.88	203#	
	46.60 – 47.40	FTS420T - 47.40		3" FIP	3,649.08	3,828.29	3,980.56	4,007.50	305#	
	47.40 – 48.20	FTS420T - 48.20		4" FIP	3,908.04	4,087.25	4,560.81	4,740.02	308#	
	48.20 – 49.00	FTS420T - 49.00								
	49.00 – 49.80	FTS420T - 49.80								
	49.80 – 50.60	FTS420T - 50.60								
	50.60 – 51.40	FTS420T - 51.40								
51.40 – 52.20	FTS420T - 52.20									

Other sizes, ranges and outlets available. Price on application.

Other Fabricated Tapping Sleeve products can be made with threaded outlets, such as FTS419T, STS420T, FTS425T. Contact Romac Engineering regarding these product options.



**TO ORDER:** Specify catalog number by the desired O.D. range and outlet size. Add S.S. for optional 304 stainless steel bolts & nuts, and F.E. for optional Romacoat fusion bonded epoxy NSF 61 certified.

**EXAMPLE:** FTS420T - 17.87 x 2 1/2" IP - SSFE